

iPad Air / iPad Air 2 Tray Kit Installation Instructions

! IMPORTANT!

The contents of this kit allow you to replace the iPad tray insert currently installed on the DL806 or DL1608 mixer with an iPad Air or iPad Air 2 tray insert. Before installing, ensure that you have the right iPad, docking connector and tray insert for your combination. See the **iPad to DL Compatibility Matrix** for the latest information:
<http://www.mackie.com/products/dlseries/specs>

Please first read these instructions carefully to ensure you feel capable of completing the described tasks. Failure to follow the exact instructions in this document may result in personal injury or damage to the DL806, DL1608, iPad, or contents of the kit and may **void the warranty**, as well.

Web: <http://www.mackie.com/support>

Email: techmail@loudtechinc.com

Phone: 425-487-4333

Toll-free: 800-898-3211

Parts

iPad Air / iPad Air 2 Tray Kit Contents – Part No. 2043589:

iPad Air / iPad Air 2 Tray Insert (1) – Part No. 2042082

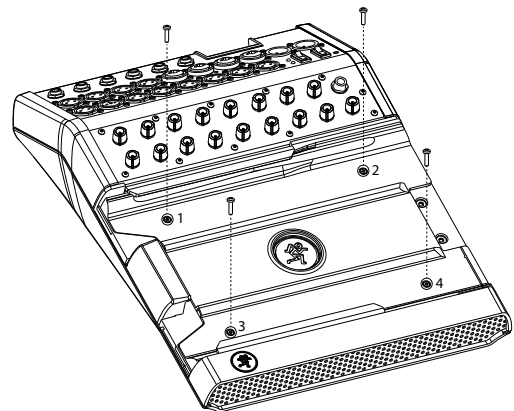
iPad Air 2 Rail Strips (2) – Part No. 2046055

Black Nylon Washers (4) – Part No. 2037889

This instruction sheet (1) – Part No. 2043591

iPad Tray Insert Removal

1. Remove the four screws holding the tray insert to the mixer, numbered 1 to 4 in the illustration below. Keep the screws in a safe place, as you will use them again.



Tools

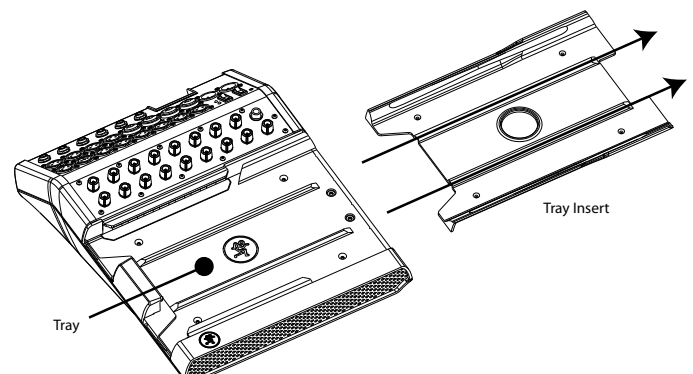
Required Tools (not included):

Phillips screwdriver

Isopropyl alcohol

Clean, dry cloth

2. Remove the tray insert from the mixer and save it somewhere safe! You might need to use it again.



Getting Started

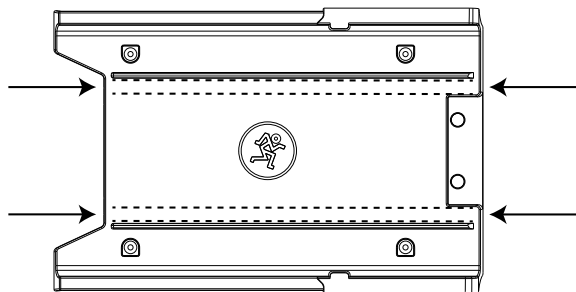
Before doing anything else...

- Turn off the mixer.
- Disconnect all cords.
- Remove mixer from the rack (if applicable).
- Place the mixer on a soft and dry flat surface.

iPad Air 2 Rail Installation

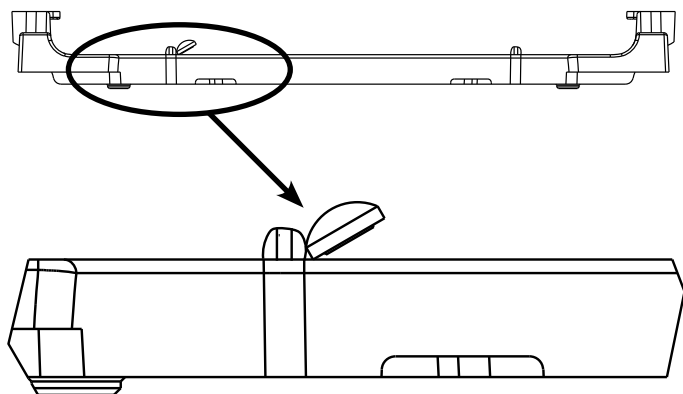
If using an iPad Air, please follow steps 8-10 to the right. If using an iPad Air 2, please thoroughly wash and dry your hands first and continue on with the instructions below.

1. Add isopropyl alcohol to the clean, dry cloth and use it to wipe down the iPad Air tray insert next to the rails (between the dotted lines) as displayed below. Let dry thoroughly.

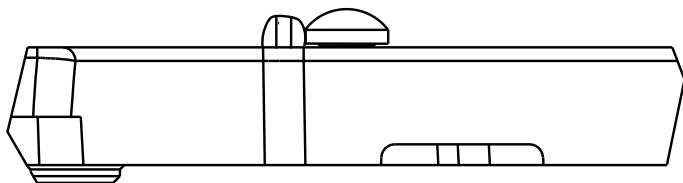


2. Doing your best to not touch any part of the adhesive, remove the adhesive backing paper of one of the iPad Air 2 rail strips.

3. With the adhesive side facing the tray insert, line up, angle and place the first rail strip butted up next to the tray insert's rail, as shown below.



4. Keeping the rail strip butted up next to the tray insert's rail, continue to apply pressure while pushing the rail strip down against the tray insert until the adhesive sticks.



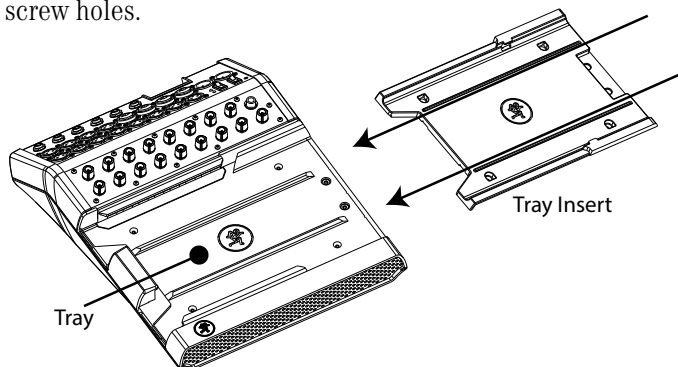
5. Using a round, non-marking object, – the body of a pen or pencil, for example – apply pressure to the entire length of the rail strip for approximately 20-30 seconds.

6. Follow steps 2-5 above for the second adhesive rail strip.

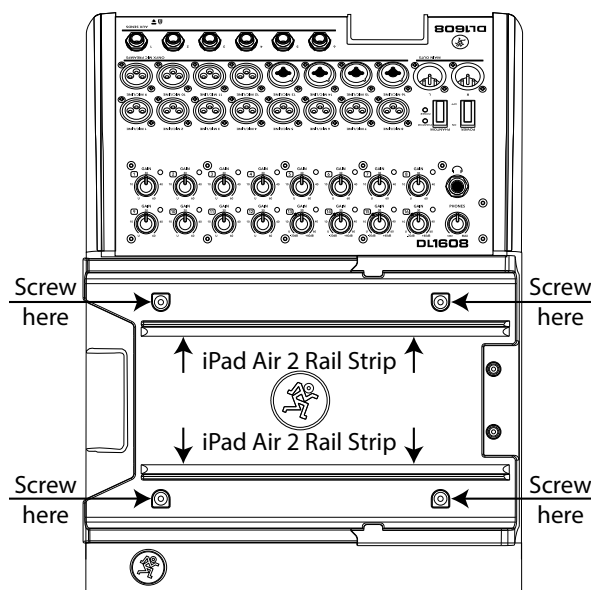
7. It takes approximately 24 hours for the adhesive to fully set. Continue on with the instructions to the right.

iPad Air Tray Insert Installation

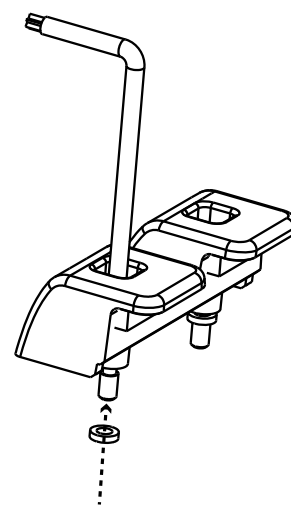
8. Slide the iPad Air / iPad Air 2 tray insert on top of the mixer tray, making sure to line up the sides and the screw holes.



9. Place the screws back into the DL mixer from where they were removed. Screw them into place, but do not overtighten. If the iPad fit is too tight, loosen all four screws, then tighten the ones closest to the connector first.



10. To use the PadLock™, you will need to install the two nylon washers (included in this kit). Align them flat against the threads of each PadLock screw™, put the driver into the screw head and slowly turn the screw to thread the washer over the screw threads. Apply moderate pressure against the washer while turning the screw so the washer threads. Stop when the washers clear the screw threads.



Note: This kit contains four nylon washers, but two are spares. Keep the other washers in case the couch eats up the others, never to be seen again.